

IEC Appliance Inlet C14 with Fuseholder 1-pole



C14

 70° C

**Description**

- Panel Mount:
Screw-on version from front or rear side, Appliance Inlet, Protection class I, Fuseholder for fuse-links 5 x 20 mm
- Solder terminals or quick connect terminals

Approvals

- UL File Number: E93617
- CSA File Number: 27324

Characteristics

- The fuse drawer "Fingergrip" can be removed by hand
- The fuseholder is accessible from the equipment front

References

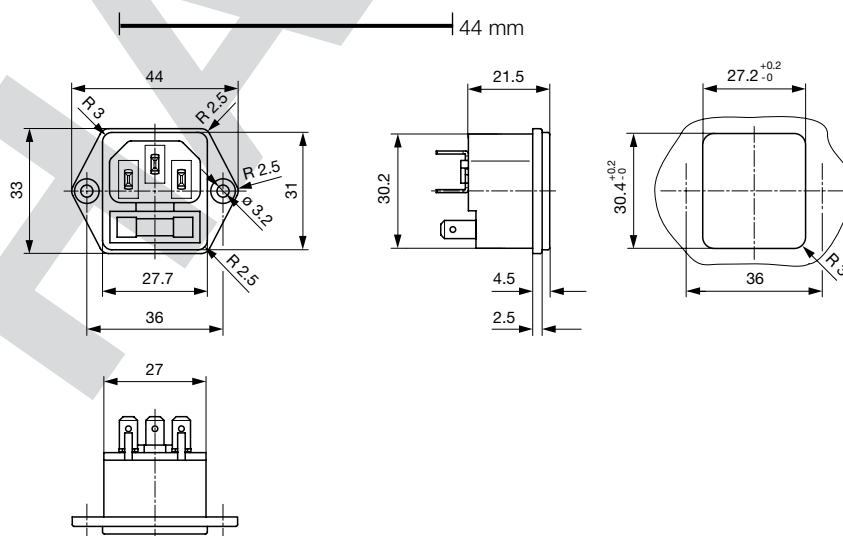
This type is Phase-out. Alternate type: [6200](#)
 Last order date: 31.12.2012

Weblinks

[pdf-datasheet](#), [html-datasheet](#), [General Product Information](#), [Approvals](#), [RoHS](#), [CHINA-RoHS](#), [Mating Connectors](#), [e-Shop](#), [SCHURTER-Stock-Check](#), [Distributor-Stock-Check](#), [CAD-Drawings](#), [Accessories](#), [Detailed request for product](#)

Technical Data

Ratings IEC	10A / 250VAC; 50Hz	Appliance Inlet	C14 acc. to IEC 60320
Ratings UL/CSA	10A / 250VAC; 60Hz		UL 498, CSA C22.2 no. 42 (for cold conditions) pin-temperature 70 °C, 10A, Protection Class I
Dielectric Strength	> 3kVAC between L-N > 1.5kVAC between L/N-PE (1 min/50Hz)	Fuseholder	1 or 2 pole, acc. to IEC 60127-6, for fuse-links 5 x 20mm
Allowable Operation Temp.	-25 °C to 70 °C	Power Acceptance @ Ta > 23°C	Admissible power acceptance at higher ambient temperature see derating curves
Degree of Protection	from front side IP 20 acc. to IEC 60529		
Protection Class	Suitable for appliances with protection class I acc. to IEC 61140		
Terminal	Solder terminals or quick connect terminals		
Material: Housing	PA6, black / grey / white, UL 94V-0		

Dimensions

Length of the terminal please find at the order code configuration table

Config. Code




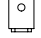
1060 - H - A B C N - D - E G O

The characters are placeholders for the correspondingly keys of selections from the key tables.

1060 - **H** - A B C N - D - E G O = Type

Type	Configuration key
protection class 1	X

1060 - H - **A** B C N - D - E G O = Terminals

Terminal L	Configuration key
short solder terminal (L = 4.8 mm) 	2
long solder terminal (L = 8.5 mm) 	3
Blade terminal (4.8 x 0.8 mm) 	8
Blade terminal (6.3 x 0.8 mm) 	9

1060 - H - A **B** C N - D - E G O = Terminals

Terminal N	Configuration key
short solder terminal (L = 4.8 mm)	2
long solder terminal (L = 8.5 mm)	3
Blade terminal (4.8 x 0.8 mm)	8
Blade terminal (6.3 x 0.8 mm)	9

Symbols similar as in table A

1060 - H - A B **C** N - D - E G O = Terminals

Terminal Ground	Configuration key
short solder terminal (L = 4.8 mm)	2
long solder terminal (L = 8.5 mm)	3
Blade terminal (4.8 x 0.8 mm)	8
Blade terminal (6.3 x 0.8 mm)	9

Symbols similar as in table A

1060 - H - A B C **N** - D - E G O = Terminal Fuseholder

Terminal Fuseholder	Configuration key
solder terminal	1
Blade terminal (4.8 x 0.8 mm)	8

1060 - H - A B C N - **D** - E G O = Color

Color	Configuration key
Black	A
Grey	B
White	D

1060 - H - A B C N - D - **E** G O = Style

Style	Configuration key
flange with countersunk holes	1
flange with through holes	2

1060 - H - A B C N - D - E **G** O = Dimension X

Dimension "X"	Configuration key
00	

The dimension "X" is displayed in ($\frac{1}{10}$ mm). This information is also valid for the order code

1060 - H - A B C N - D - E G **O** = Features

Features	Configuration key
dead cover	1
holder for 1 fuse (text legible, when inlet on top)	2
holder for 1 fuse (text legible, when inlet on bottom)	3

Variants

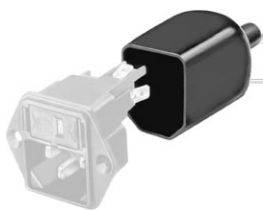
Config. Code	Description	Order Number
1060-X-2221-A-1002	1060, IEC Power Entry Module C14, 70°C, version: 1, L: short solder terminal (L = 4.8 mm), N: short solder terminal (L = 4.8 mm), ground: short solder terminal (L = 4.8 mm), fuseholder: solder terminal, color: Black, design: flange with countersunk holes, dimension X: , features: holder for 1 fuse (text legible, when inlet on top), not used	4304.6005
1060-X-2221-B-1002	1060, IEC Power Entry Module C14, 70°C, version: 1, L: short solder terminal (L = 4.8 mm), N: short solder terminal (L = 4.8 mm), ground: short solder terminal (L = 4.8 mm), fuseholder: solder terminal, color: Grey, design: flange with countersunk holes, dimension X: , features: holder for 1 fuse (text legible, when inlet on top), not used	4304.6006
1060-X-8888-A-1002	1060, IEC Power Entry Module C14, 70°C, version: 1, L: Blade terminal (4.8 x 0.8 mm), N: Blade terminal (4.8 x 0.8 mm), ground: Blade terminal (4.8 x 0.8 mm), fuseholder: Blade terminal (4.8 x 0.8 mm), color: Black, design: flange with countersunk holes, dimension X: , features: holder for 1 fuse (text legible, when inlet on top), not used	4304.6007
1060-X-8888-B-1002	1060, IEC Power Entry Module C14, 70°C, version: 1, L: Blade terminal (4.8 x 0.8 mm), N: Blade terminal (4.8 x 0.8 mm), ground: Blade terminal (4.8 x 0.8 mm), fuseholder: Blade terminal (4.8 x 0.8 mm), color: Grey, design: flange with countersunk holes, dimension X: , features: holder for 1 fuse (text legible, when inlet on top), not used	4304.6008
1060-X-9998-A-1002	1060, IEC Power Entry Module C14, 70°C, version: 1, L: Blade terminal (6.3 x 0.8 mm), N: Blade terminal (6.3 x 0.8 mm), ground: Blade terminal (6.3 x 0.8 mm), fuseholder: Blade terminal (4.8 x 0.8 mm), color: Black, design: flange with countersunk holes, dimension X: , features: holder for 1 fuse (text legible, when inlet on top), not used	4304.6009

The listed variants should be available from stock Other versions on request www.schurter.com/contact

Packaging unit 50 Pcs

Accessories

Description



Assorted Covers
Rear Cover

Mating Outlets/Connectors

Category / Description

[Connector Overview complete](#)



IEC Connector C13, Rewireable, Angled	4012
IEC Connector C13, Rewireable, Angled	4013
IEC Connector C13, Rewireable, Straight	4020
IEC Connector C13, Rewireable, Angled	4021
IEC Connector C13, Rewireable, Straight	4022

[Connector further types to 1060](#)

...

[Interconnection Cord Overview complete](#)



Interconnection Cord C13, 10 A	6007.0212
Interconnection Cord C13, 10 A	6007.0214

[Interconnection Cord further types to 1060](#)

[Power Cord Overview complete](#)



Power Cord with IEC Connector C13, Angled	0311
Power Cord with IEC Connector C13, Angled	3011
Power Cord with IEC Connector C13, Angled	3012
Power Cord with IEC Connector C13, Angled	3013
Power Cord with IEC Connector C13	3020

[Power Cord further types to 1060](#)

...

Category / Description

Power Supply Cord Overview complete



Power Supply Cord with IEC Connector C13 straight, stripped end	6000.0214
Power Supply Cord with IEC Connector C13 angled, stripped end	6000.0224
EU Power Supply Cord with IEC Connector C13, straight	6003.0215
EU Power Supply Cord with IEC Connector C13, straight	6004.0215
US Power Supply Cord with IEC Connector C13, straight	6009.1315
Power Supply Cord further types to 1060	...

Power Supply or Interconnection Cord Overview complete

Diverse Power Supply and Interconnection Cords 10 A	6003.0204
Diverse Power Supply and Interconnection Cords 10 A	6003.0205
Diverse Power Supply and Interconnection Cords 10 A	6026.0205
UK Power Supply Cord with stripped ends	6044.0204
Diverse Power Supply and Interconnection Cords 10 A	6045.0114
Power Supply or Interconnection Cord further types to 1060	...

PHASE!